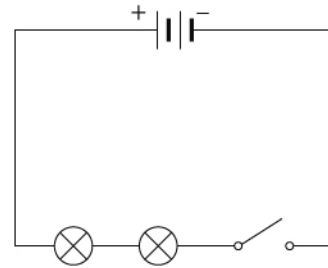


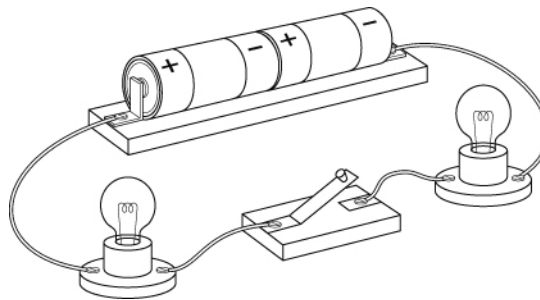
This is a circuit.



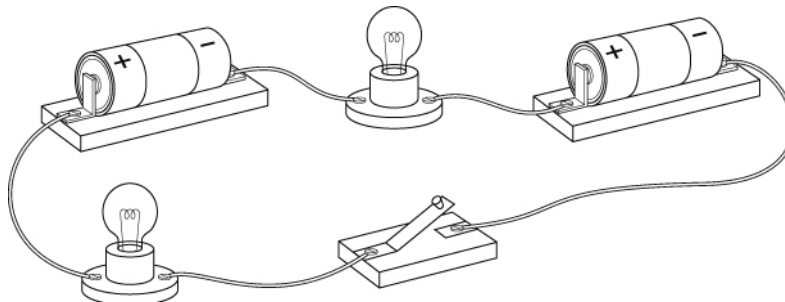
This is the circuit diagram.

- 1 Practise drawing circuits by making a neat copy of the circuit diagram above.
- 2 Draw circuit diagrams for these circuits. Make sure that you show the cells the right way round.

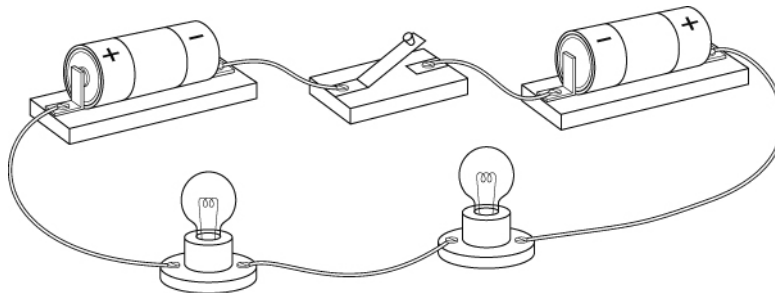
a



b



c



- 3 What is wrong with the cells in circuit **c**?

I can...

- identify common circuit components and their symbols
- model circuits using simple circuit diagrams.